



# TEMPERATURE

## PLATINUM RTD TEMPERATURE TRANSMITTER

### T81PNR, T85PNR, T90PNR SERIES

#### DESCRIPTION

The **Kele T\*PNR Series Temperature Transmitters** are fixed range, two-wire 4-20mA transmitters used with Type 81, 85 and 91 series sensors. The transmitters are available in six standard ranges for temperature control and building automation.

The **Kele T81PNR Series** is used with the Type 81 100Ω platinum RTD sensor. The **Kele T85PNR Series** is used with the Type 85 1000Ω 385 platinum RTD sensor. The **Kele T91PNR Series** is used with the Type 91 1000Ω 375 platinum RTD sensor.



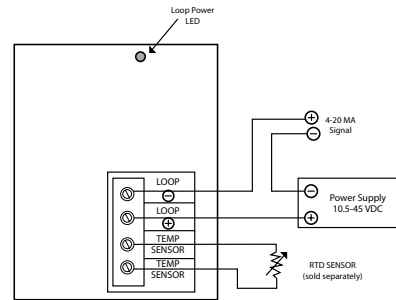
T81PNR



#### FEATURES

- **Low cost**
- **Comes with handy box**
- **Easy to install**
- **Six preconfigured ranges**
- **Comes with 2" x 4" handibox (already installed)**
- **Potted Epoxy**

#### WIRING



#### SPECIFICATIONS

<b>Supply Voltage</b>	10.5 -45 VDC
<b>Accuracy</b>	0.1°F or 0.2% span
<b>Signal Output</b>	4-20mA @ 675Ω , loop-powered
<b>Sensor Type</b>	1000Ω platinum 375 curve, 1000Ω platinum 385 curve, 100Ω platinum 385 curve
<b>Operating Temperature</b>	0° to 140°F (-18° to 60°C)
<b>Operating Humidity</b>	0% to 95% non-condensing

<b>Terminations</b>	6" leads
<b>Mounting</b>	Directly to wall or enclosure
<b>Dimensions</b>	2.8" x 1.9" x 0.6" ( 7.1 x 4.8 x 1.4 cm)
<b>Weight</b>	0.5 lb ( 0.2 Kg)
<b>Warranty</b>	1 year

#### ORDERING INFORMATION

MODEL	DESCRIPTION
<b>T81PNR</b>	Transmitter for type 81 100Ω 385 platinum RTD
<b>T85PNR</b>	Transmitter for type 85 1000Ω 385 platinum RTD
<b>T90PNR</b>	Transmitter for type 91 1000Ω 375 platinum RTD
	<b>RANGE</b>
<b>2</b>	-20° to 140°F (-29° to 60°C)
<b>3</b>	0° to 100°F (-18° to 38°C)
<b>4</b>	30° to 240°F (-1° to 116°C)
<b>12</b>	-22° to 113°F (-30° to 45°C)
<b>13</b>	32° to 212°F (0° to 100°C)
<b>14</b>	32° to 122°F (0° to 50°C)

**T90PNR** - **3** Example: **T90PNR-3** transmitter for 1000Ω platinum RTD with a 4-20mA output for 0° to 100°F(-18° to 38°C)

**DCPA-1.2**  
**DCP-1.5-W**

#### RELATED PRODUCTS

Power supply, 120 VAC IN to 24 VAC/24 VDC OUT  
Power supply, 24 VAC IN to 24 VDC OUT